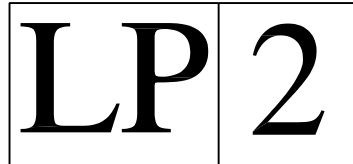




DECORATIVE LIGHT POLES

Imperial's line of decorative light poles are the perfect accent to any landscape. The poles are made for use with standard gas or electric lights available in your area.

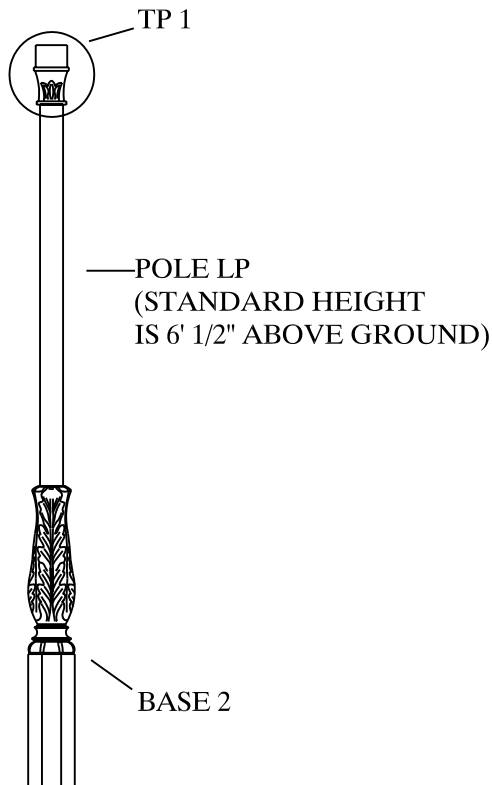
SYSTEM CODE SPECIFICATION



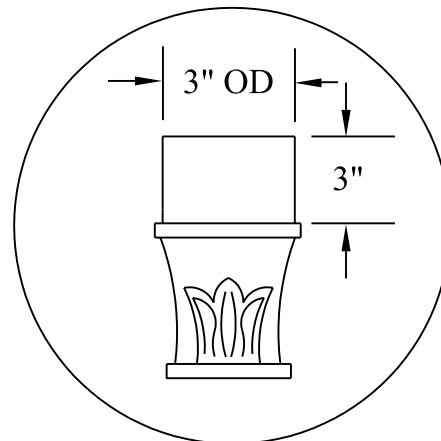
DESIGNATES
LIGHT POLE

BASE
(STYLES FOUND
ON PAGE 7)

SYSTEM RENDERING FROM
CODE SPECIFIED ABOVE:



- ALL 2 3/8" OD LIGHT POLES ARE EQUIPPED WITH A DECORATIVE TRANSITION PIECE (TP 1) TO ACCOMMODATE A 3" LIGHT FIXTURE.



- 3" OD LIGHT POLES (USED WITH BASE 7 OR 8) DO NOT INCLUDE THE TRANSITION PIECE.

* LIGHT FIXTURES SHOWN SOLD SEPERATELY

